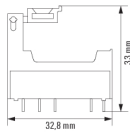


TERMSERIES RSS PCB

Weidmüller Interface GmbH & Co. KG
Klingenbergstraße 16
D-32758 Detmold
Germany
Fon: +49 5231 14-0
Fax: +49 5231 14-292083
www.weidmueller.com



TERMSERIES accessories include:

- Spare relay
- Base
- Partition plates
- Cross-connections
- Power-feed modules

General ordering data

Type	RSS PCB
Order No.	7760056258
Version	TERMSERIES, No. of contacts: 1 CO contact, Continuous current: 6 A, Solder connection
GTIN (EAN)	6944 169685842
Qty.	100 pc(s).

**TERMSERIES
RSS PCB**

Weidmüller Interface GmbH & Co. KG
 Klingenbergstraße 16
 D-32758 Detmold
 Germany
 Fon: +49 5231 14-0
 Fax: +49 5231 14-292083
 www.weidmueller.com

Technical data
Dimensions and weights

Width	6.2 mm	Width (inches)	0.244 inch
Height	32.8 mm	Height (inches)	1.291 inch
Depth	33 mm	Depth (inches)	1.299 inch
Net weight	2.9 g		

Temperatures

Operating temperature, max.	70 °C	Operating temperature, min.	-40 °C
Storage temperature, max.	70 °C	Storage temperature, min.	-40 °C
Operating temperature	-40 °C...70 °C	Storage temperature	-40 °C...70 °C

Output

Rated switching voltage	250 V AC	Max. switching voltage, AC	300 V
Continuous current	6 A		

Contact data

Contact type	1 CO contact
--------------	--------------

General data

Colour	Black
--------	-------

Insulation coordination

Dielectric strength input – output	4 kV _{eff} / 1 s
------------------------------------	---------------------------

Connection data

Wire connection method	Solder connection
------------------------	-------------------

Classifications

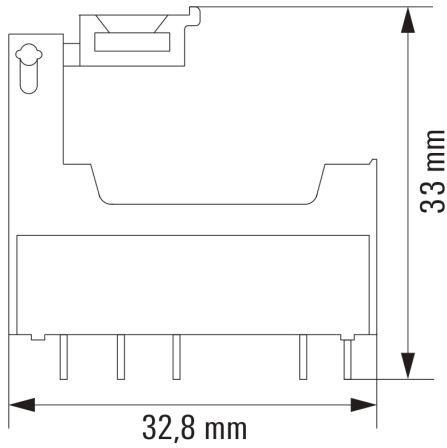
ETIM 6.0	EC001456	eClass 9.1	27-37-16-03
----------	----------	------------	-------------

Approvals

ROHS	Conform
------	---------

**TERMSERIES
RSS PCB**

Weidmüller Interface GmbH & Co. KG
Klingenbergstraße 16
D-32758 Detmold
Germany
Fon: +49 5231 14-0
Fax: +49 5231 14-292083
www.weidmueller.com

Drawings**Dimensional drawing****Dimensional drawing**