

DO NOT SCALE FROM THIS PRINT

DESIGNED & DIMENSIONED IN MILLIMETERS[INCHES]

**THIS PRODUCT MANUFACTURED WITH LEAD-FREE PROCESSING**

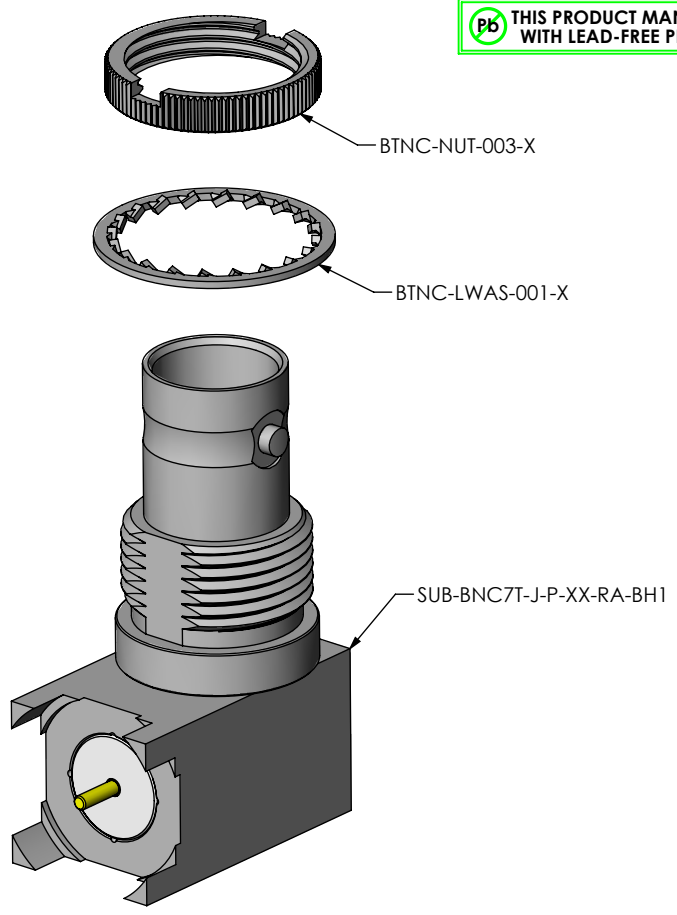


FIG.1  
BNC7T-J-P-XX-RA-BH1 SHOWN

- NOTES:
- ⊗ REPRESENTS A CRITICAL DIMENSION.
  - FABRICATED PARTS MUST BE FREE OF SCRATCHES, TOOL MARKS, ETC.
  - SUPPLIER TO REMOVE BURRS.
  - RoHS COMPLIANT.
  - COMPONENT PLATING DESIGNATIONS:  
 -H: .000030" MIN. GOLD OVER .000050. (MIN) NICKEL.  
 -G .000010" MIN. GOLD OVER .000050" MIN. NICKEL  
 -N: .000100" MIN. NICKEL.
  - ASSEMBLY PLATING DESIGNATIONS:  
 -HN: (CENTER CONTACT)-H  
 (OUTER CONTACT) -N  
 (REMAINING METAL PARTS) -N  
 -MN, -GN:(CENTER CONTACT)-G  
 (OUTER CONTACT) -N  
 (REMAINING METAL PARTS) -N
  - NOTE DELETED.
  - PRODUCT TO BE PACKAGED PER PRECISION RF SECTION OF PACKAGING MANUAL.

BNC7T-J-P-XX-RA-BH1-X

GENDER  
-J: JACK

TYPE  
-P: PCB

PACKAGING  
-BLANK: INDIVIDUALLY BAGGED  
-B: BULK PACKAGED (QTY=100 MAX)

TERMINATION  
-BH1: BULKHEAD THROUGH HOLE

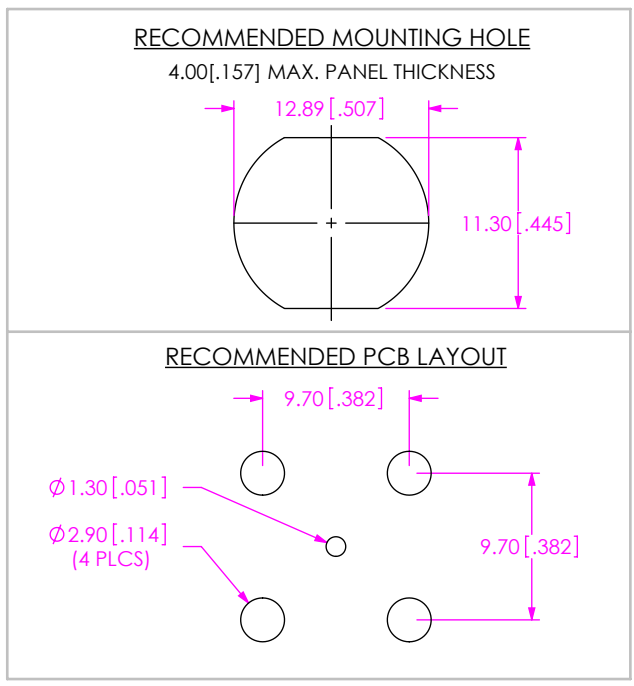
ORIENTATION  
-RA: RIGHT ANGLE

PLATING SPECIFICATION  
 -HN: HEAVY GOLD/NICKEL (SUB-BNC7T-J-P-HN-RA-BH1)  
 (BTNC-NUT-003-N)  
 (BTNC-LWAS-001-N)


\*-MN: MEDIUM GOLD/NICKEL (SUB-BNC7T-J-P-GN-RA-BH1)  
 (BTNC-NUT-003-N)  
 (BTNC-LWAS-001-N)

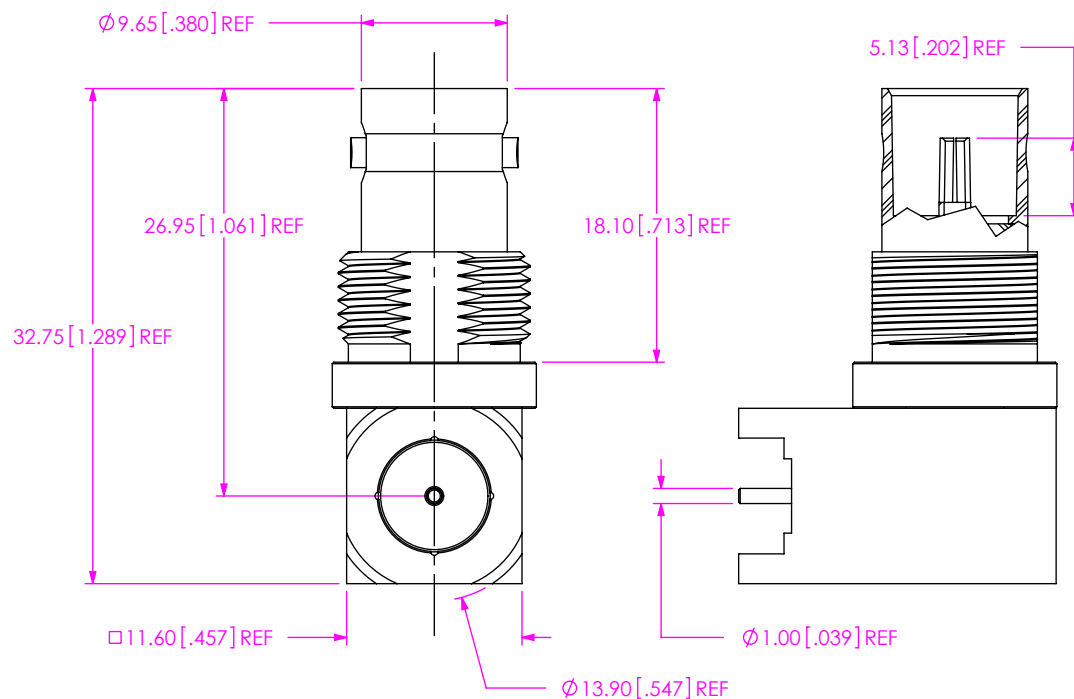
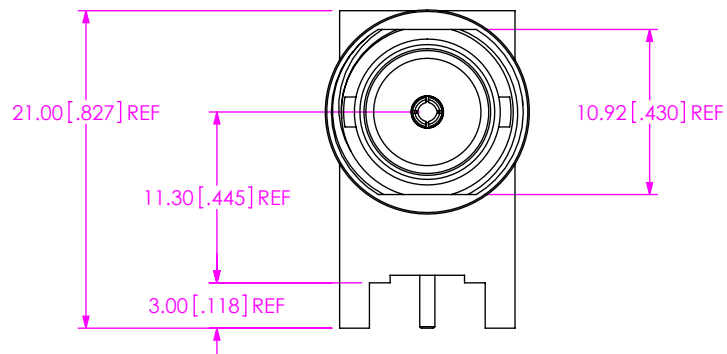
-GN: GOLD/NICKEL (SUB-BNC7T-J-P-GN-RA-BH1)  
 (BTNC-NUT-003-N)  
 (BTNC-LWAS-001-N)

\*= FOR EXISTING CUSTOMERS ONLY

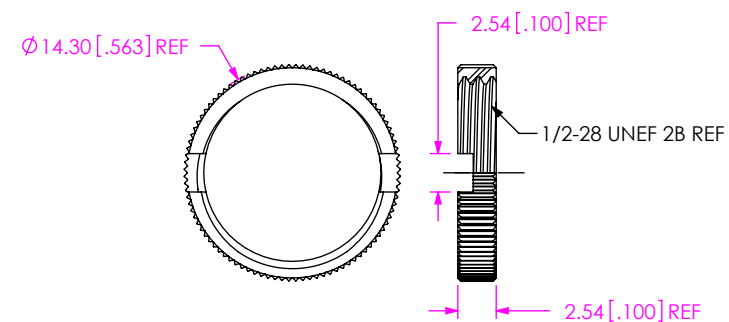


F:\DWG\MISC\MKTG\BNC7T-J-P-XX-RA-BH1-X-MKT.SLDDRW

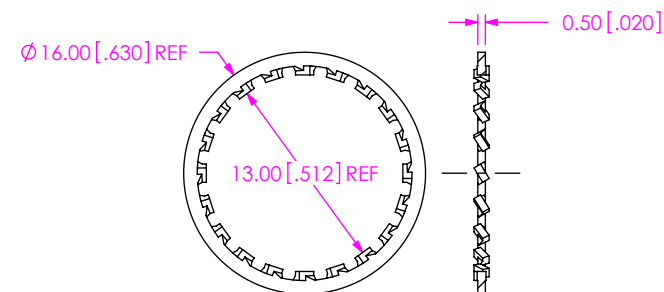
<p>UNLESS OTHERWISE SPECIFIED DIMENSIONS ARE IN MILLIMETERS</p> <p>TOLERANCES ARE:</p> <table border="0"> <tr> <td>DECIMALS</td> <td>ANGLES</td> </tr> <tr> <td>.X: ±0.3 [0.1]</td> <td>2°</td> </tr> <tr> <td>.XX: ±0.13 [0.05]</td> <td></td> </tr> <tr> <td>.XXX: ±0.051 [0.020]</td> <td></td> </tr> </table>	DECIMALS	ANGLES	.X: ±0.3 [0.1]	2°	.XX: ±0.13 [0.05]		.XXX: ±0.051 [0.020]		<p>PROPRIETARY NOTE</p> <p>THIS DOCUMENT CONTAINS INFORMATION CONFIDENTIAL AND PROPRIETARY TO SAMTEC, INC. AND SHALL NOT BE REPRODUCED OR TRANSFERRED TO OTHER DOCUMENTS OR DISCLOSED TO OTHERS OR USED FOR ANY PURPOSE OTHER THAN THAT WHICH IT WAS OBTAINED WITHOUT THE EXPRESSED WRITTEN CONSENT OF SAMTEC, INC.</p>	 <p>520 PARK EAST BLVD, NEW ALBANY, IN 47150              PHONE: 812-944-6733 FAX: 812-948-5047              e-Mail: info@SAMTEC.com code: 55322</p>
DECIMALS	ANGLES									
.X: ±0.3 [0.1]	2°									
.XX: ±0.13 [0.05]										
.XXX: ±0.051 [0.020]										
<p>MATERIAL: DO NOT SCALE DRAWING SHEET SCALE: 2:1</p> <p>SHELL,BODY,NUT,WASHER: BRASS</p> <p>CONTACT: COPPER ALLOY</p> <p>DIELECTRIC: PTFE</p>	<p>DESCRIPTION: TRUE 75 OHM RIGHT ANGLE JACK ASSEMBLY</p> <p>DWG. NO. <b>BNC7T-J-P-XX-RA-BH1-X</b></p>	<p>BY: G. HERMAN 09-07-2010 SHEET 1 OF 3</p>								



SAMTEC PART NUMBER	ITEM	DESCRIPTION
SUB-BNC7T-J-P-XX-RA-BH1	1	SUB ASSEMBLY



SAMTEC PART NUMBER	ITEM	DESCRIPTION
BTNC-NUT-003-X	3	KNURLED NUT



SAMTEC PART NUMBER	ITEM	DESCRIPTION
BTNC-LWAS-001-X	2	LOCKWASHER

F:\DWG\MISC\MKTG\BNC7T-J-P-XX-RA-BH1-X-MKT.SLDDRW

**PROPRIETARY NOTE**  
 THIS DOCUMENT CONTAINS INFORMATION  
 CONFIDENTIAL AND PROPRIETARY TO  
 SAMTEC, INC. AND SHALL NOT BE REPRODUCED  
 OR TRANSFERRED TO OTHER DOCUMENTS OR  
 DISCLOSED TO OTHERS OR USED FOR ANY  
 PURPOSE OTHER THAN THAT WHICH IT WAS  
 OBTAINED WITHOUT THE EXPRESSED WRITTEN  
 CONSENT OF SAMTEC, INC.



520 PARK EAST BLVD, NEW ALBANY, IN 47150  
 PHONE: 812-944-6733 FAX: 812-948-5047  
 e-Mail: info@SAMTEC.com code: 55322

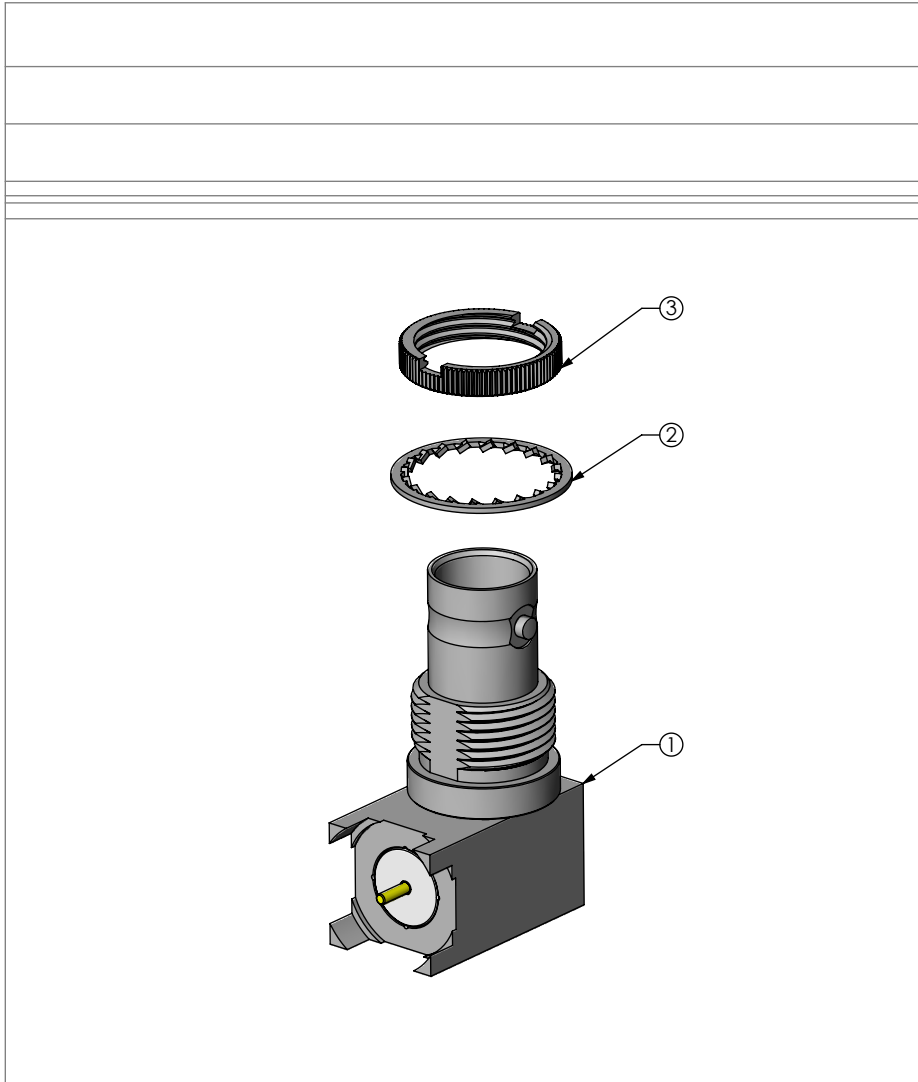
DO NOT SCALE DRAWING

SHEET SCALE: 2:1

DESCRIPTION:  
 TRUE 75 OHM RIGHT ANGLE JACK ASSEMBLY

DWG. NO.  
**BNC7T-J-P-XX-RA-BH1-X**

BY: G. HERMAN 09-07-2010 SHEET 2 OF 3



BNC7T-J-P-XX-RA-BH1 SHOWN

**PROPRIETARY NOTE**

THIS DOCUMENT CONTAINS CONFIDENTIAL AND PROPRIETARY INFORMATION AND ALL DESIGN, MANUFACTURING, REPRODUCTION, USE, PATENT RIGHTS AND SALES RIGHTS ARE EXPRESSLY RESERVED BY SAMTEC, INC. THIS DOCUMENT SHALL NOT BE DISCLOSED, IN WHOLE OR PART, TO ANY UNAUTHORIZED PERSON OR ENTITY NOR REPRODUCED, TRANSFERRED OR INCORPORATED IN ANY OTHER PROJECT IN ANY MANNER WITHOUT THE EXPRESS WRITTEN CONSENT OF SAMTEC, INC.



520 PARK EAST BLVD, NEW ALBANY, IN 47150  
 PHONE: 812-944-6733 FAX: 812-948-5047  
 e-Mail: info@SAMTEC.com code: 55322

DO NOT SCALE DRAWING SHEET SCALE: 2:1  
 INSULATOR:  
 CONTACT OR TERMINAL:  
 SHIELD: PHOS BRONZE  
 PLATING:  
 CONTACT AREA: .000010 REF GOLD  
 REMAINDER: .000200 REF TIN

DESCRIPTION:  
**TRUE 75 OHM RIGHT ANGLE JACK ASSEMBLY**  
 DWG. NO. **BNC7T-J-P-XX-RA-BH1-X**  
 BY: G. HERMAN 09-07-2010 SHEET 3 OF 3