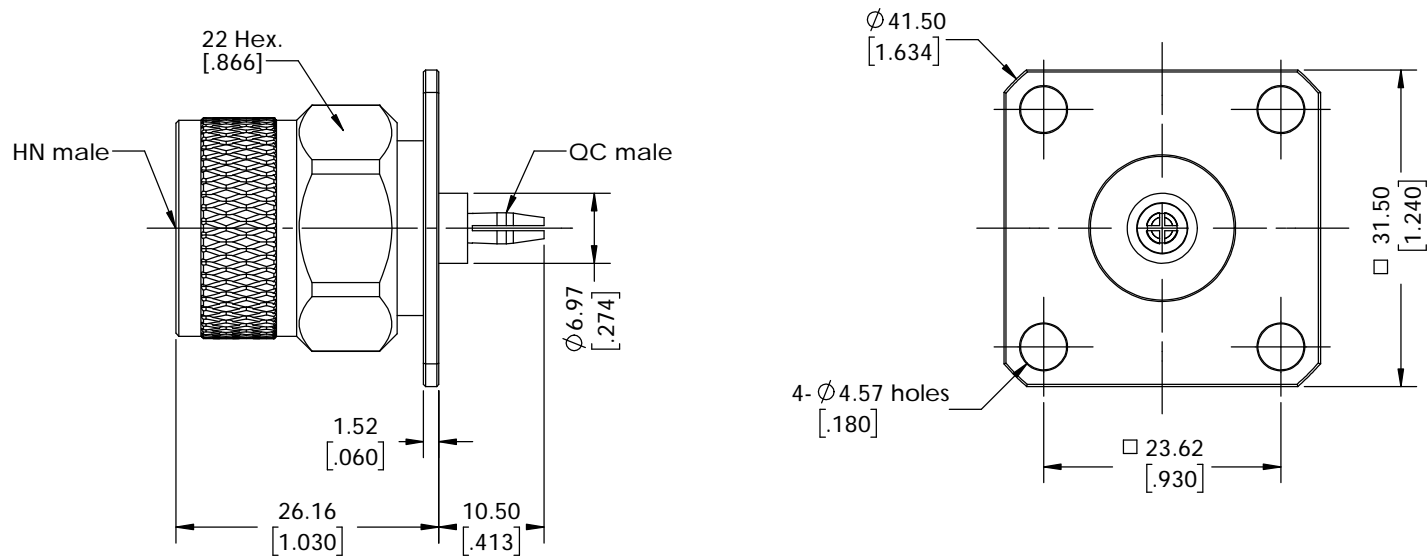


NOTICE OF PROPRIETARY RIGHTS: THIS DOCUMENT CONTAINS CONFIDENTIAL DATA, INCLUDING TRADE SECRETS, PROPRIETARY TO TIMES MICROWAVE SYSTEMS. DISCLOSURE OF THIS DATA IS EXPRESSLY CONDITIONED UPON YOUR ASSENT THAT ITS USE IS LIMITED TO USE WITHIN YOUR COMPANY ONLY. ANY OTHER USE IS STRICTLY PROHIBITED WITHOUT THE PRIOR WRITTEN CONSENT OF TIMES MICROWAVE SYSTEMS.

SYM	REVISION DESCRIPTION	DFTM	DATE	APPD	DATE
A	RELEASED FOR PRODUCTION	Patrick	2020/03/13	Tony	2020/03/13



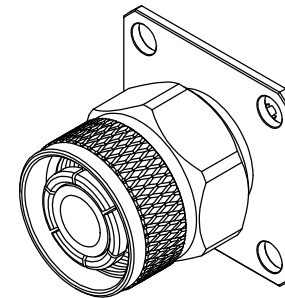
I. MATERIALS & FINISHES			
Component	Material	Finishes	Thk. (u")
Body	Brass	Albaloy	100
Contact Pin	Beryllium Copper	Silver	200
Insulator	PTFE	--	--
Coupling Nut	Brass	Albaloy	100

II. ELECTRICAL PROPERTIES	
Impedance:	50 Ω
Frequency Range:	DC to 2.5 GHz
Voltage Rating:	2000 V rms
Dielectric Withstanding Voltage:	5000 V rms
Insulation Resistance:	≥10000 MΩ
VSWR:	≤1.20
Insertion Loss (f / GHz):	-0.1 x sqrt (f) dB

III. ENVIRONMENTAL PROPERTIES	
Temperature Range:	-65°C ~ +165°C
Thermal Shock:	MIL-STD-202, Meth. 107, Cond. B
Vibration:	MIL-STD-202, Meth. 204, Cond. B
Shock:	MIL-STD-202, Meth. 213, Cond. G
Climatic Class:	IEC 60068 55/155/21
RoHS:	Compliant

IV. MECHANICAL PROPERTIES	
Coupling Nut Torque:	30 in.lbs
Durability:	500 Cycles

V. TOOLINGS & ACCESSORIES
N/A



Interface Compatible with Standard:
MIL-STD-348 (HN)
Times WI-RD-029 (QC)

UNLESS OTHERWISE SPECIFIED		DFTM Patrick	 An Amphenol Company	
ALL DIMENSIONS ARE IN mm MACHINED SURFACES FINISH 1.6 RMS MAX. REMOVE ALL BURRS 0.15X45° MAX. BREAK MACHINE CORNERS 0.15X45° D MAX. FILLET R. TOLERANCES ON DECIMALS X ±0.15 XX ±0.1 ANGLES ±2° FRACTIONS ± N/A		DATE 2020/03/13		
		CHKD Monica		
		DATE 2020/03/13		
		APPD Tony	AD-HNM-QCM-PM-2.5 HN Male to QC Male Straight Adapter	
Scale:	2:1	Size:	A3	CODE IDENT 68999
DATE	2020/03/13	SHT	1/1	3191-6225
REV	A			