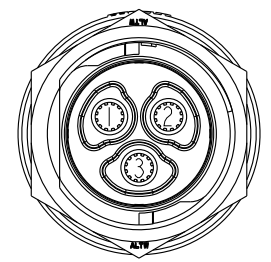
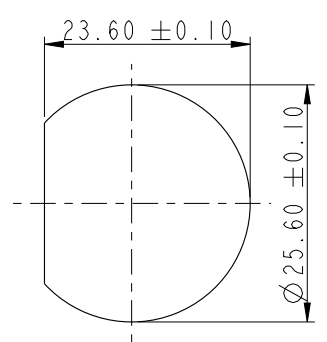
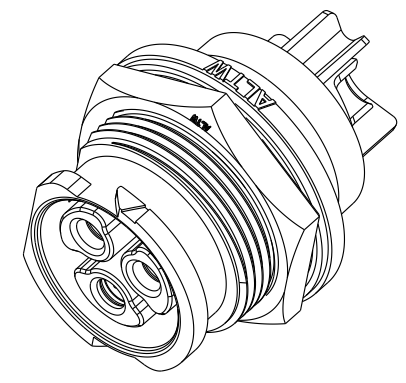
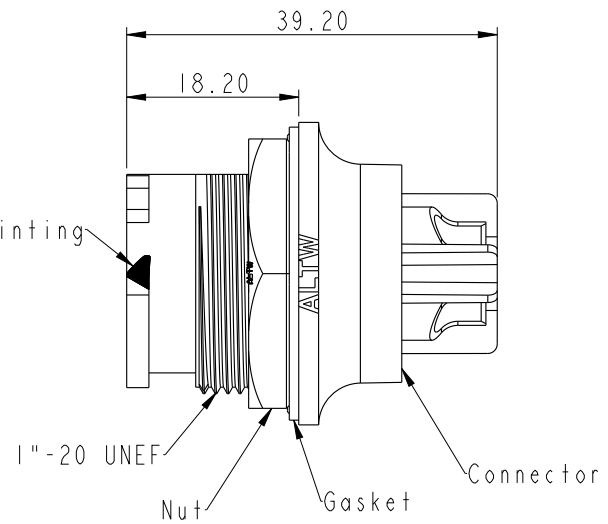
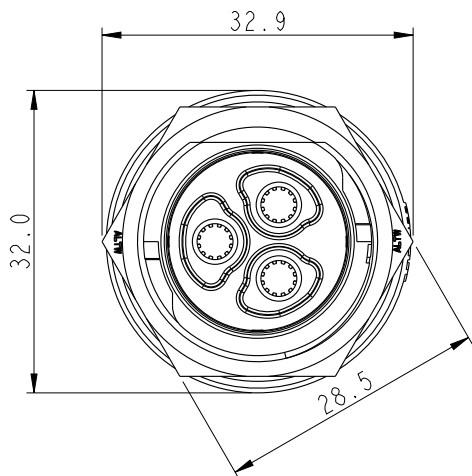


THIS DOCUMENT IS SUBJECT TO CHANGE WITHOUT NOTICE. IT IS CONFIDENTIAL AND A PROPERTY OF AMPHENOL LTW. DISCLOSURE TO THIRD PARTY HAS TO BE AUTHORIZED BY AMPHENOL LTW.

REV.	ECN NO.	DATE	SIGN	DESCRIPTION
A	-	2023/02/06	Ouyang	Initial Release
B	C230219	2023/02/20	Ouyang	X2

DM-XXPMFS-QC801P

XX: No. of pin



Recommended Panel Cut-Out

PIN Assignments Front view

- Note:
- * RoHS Compliant
 - * Important Dimension
 - * Waterproof Rate: IP68, Unmated 1m/24h
 - * Connector
 - Housing: Thermoplastic, Black
 - Power Pin: Copper Alloy, Silver Plated
 - Gasket: Rubber, Gray
 - * Nut: Thermoplastic, Black
 - * For Panel Thickness Max 4.5mm
 - * Use with waterproof cap or dust cap
 - Panel thickness Max: 3.0mm
 - * Gasket and nut are packed separately in PE bag

UNIT: mm		TITLE
TOLERANCE	$\pm 0.5\text{mm}$	X-LOK D SIZE 3Pin PANEL CONNECTOR
SCALE	1:1	SIZE A4
REV.	B	WC-REV. .0
		Inspection item

Amphenol LTW
安費諾亮泰企業股份有限公司

ITEM NO	DRAWN BY	DATE
DWG NO	CHECKED BY	DATE
CUSTOMER	APPROVED BY	DATE
ALTW	Ouyang Jerry Fred	2023/02/06 2023/02/06 2023/02/06