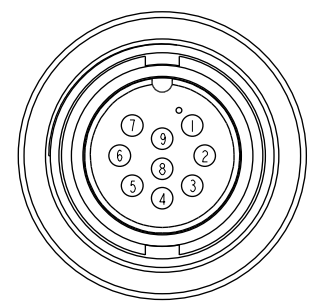
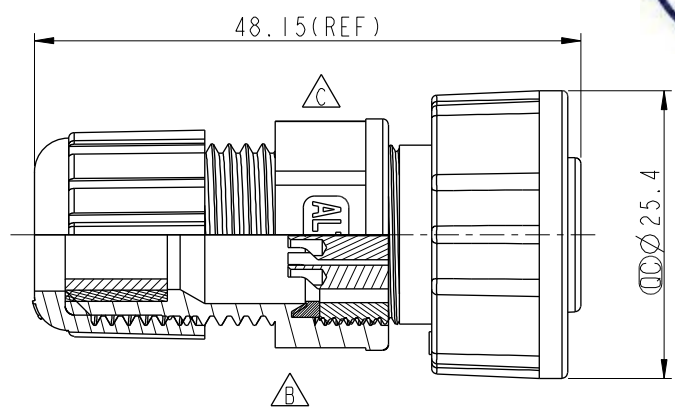
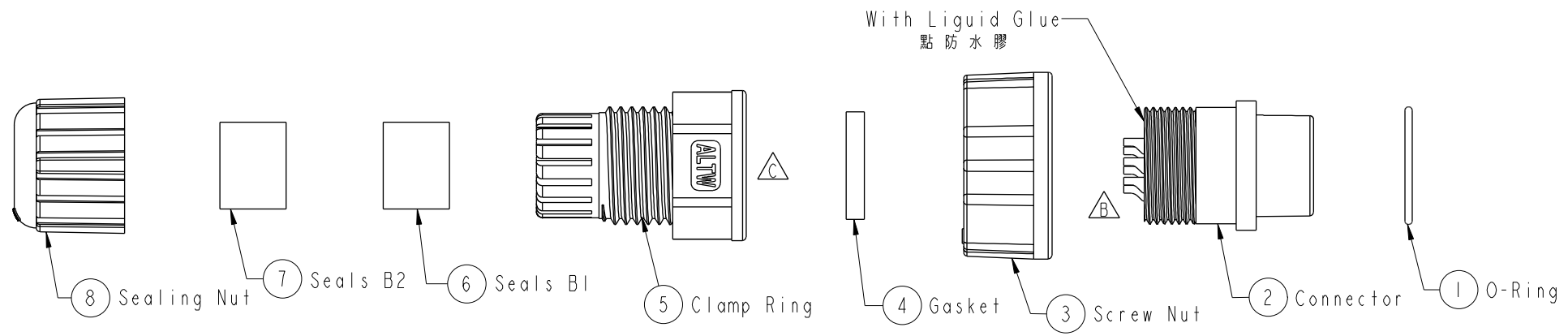
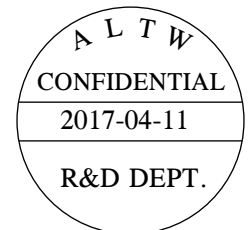


THIS DOCUMENT IS SUBJECT TO CHANGE WITHOUT NOTICE. IT IS CONFIDENTIAL AND A PROPERTY OF AMPHENOL LTW. DISCLOSURE TO THIRD PARTY HAS TO BE AUTHORIZED BY AMPHENOL LTW.

| REV. | ECN NO. | DATE | SIGN | DESCRIPTION |
|------|------------|------------|------|-----------------|
| B | LEN-0C0117 | 2010/11/23 | IVNA | Change 前導角 View |
| C | LEN1741193 | 2017/04/11 | Ruru | Change Logo |



Pin Assignments
Front View前視圖



Note:

- * \varnothing Important Dimension.
- * Waterproof Rate: IP67
- * Housing: Nylon+GF, Black.
- * Female Pin: Copper Alloy, Gold Plated.
- * Screw Nut: Nylon+GF, Black
- * O-Ring: EPDM, Black.
- * \triangle Gasket: Silicone, Black
- * Seals: EPDM, Black
- * Clamp Ring: Nylon, Black.
- * Sealing Nut: Nylon, Black.
- * Liquid Glue: Clear
- * Seals B1 for Cable OD: \varnothing 7.6mm~ \varnothing 9.6mm
- * Seals B2 for Cable OD: \varnothing 4.0mm~ \varnothing 7.6mm
- * One Set Unassembled in One PE Bag.

| | | | | | | | | | | | | | | |
|---|--|-----|---------|--|--|---------|---------------------------------|----------|----------|------|-------------|------|------|------------|
| UNIT: mm TOLERANCE .X ±0.25 .XX ±0.1 .XXX ±0.05 ANGLES ±1° | TITLE Middle Assy Screw 9Pin F Conn F Pin | | | <h1 style="text-align: center;">Amphenol LTW</h1> <h2 style="text-align: center;">安費諾亮泰企業股份有限公司</h2> | | ITEM NO | CD-09BFFA-SL7001 | DRAWN BY | Ruru | DATE | 2017-04-11 | | | |
| | SCALE | 1:1 | SIZE | | | A4 | SHEET | 1 | OF | 1 | CHECKED BY | Rita | DATE | 2017-04-11 |
| | REV. | C | WC-REV. | | | A.2 | \varnothing : Inspection item | | CUSTOMER | ALTW | APPROVED BY | Max | DATE | 2017-04-11 |