

**MATERIALS & SPECIFICATIONS**

**INSULATORS**

THERMOPLASTIC PER ASTM D5138

**CONTACT MATERIAL**

PINS - BERYLLIUM COPPER PER ASTM B194, ALLOY C17200

SOCKET - COPPER ALLOY PER MIL-DTL-32139

**CONTACT FINISH**

GOLD PLATE PER ASTM B488, TYPE II (HARD GOLD), CODE C, CLASS 1.27

**TERMINATION FINISH**

SOLDER COATED WITH SN63 PER J-STD-006 OR SN60 PER AMS-P-81728

**CURRENT RATING**

1 AMP PER MIL-DTL-32139

**CONTACT RESISTANCE**

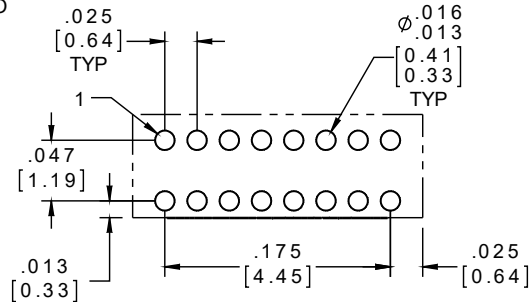
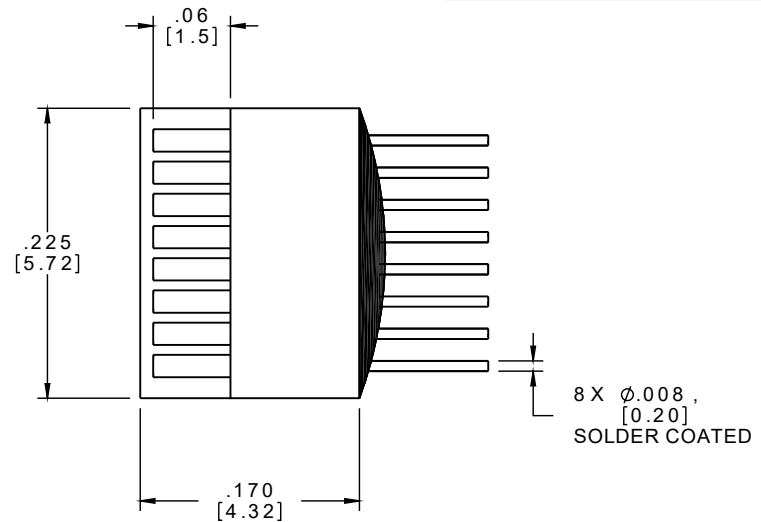
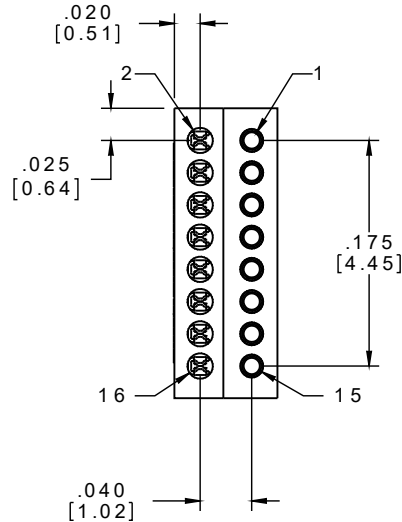
71 MILLIOHM MAX (71mV DROP MAX) @ 1.0 AMPS PER MIL-DTL-32139

**PERFORMANCE**

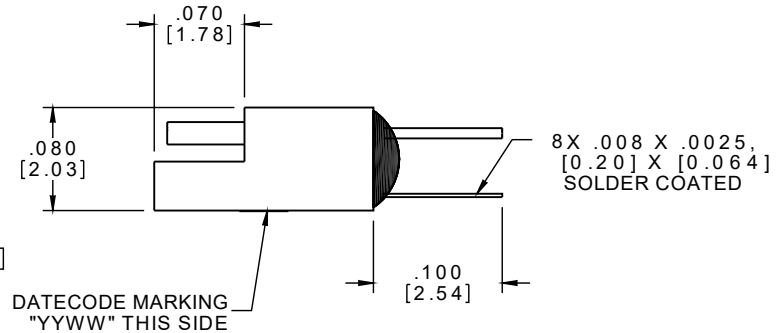
PRODUCT FAMILY TESTED TO AND PASSED THE PERFORMANCE SPECIFICATIONS OF TABLE VIII OF MIL-DTL-32139



ACTUAL SIZE



SUGGESTED PAD LAYOUT



PART NO.	A79634-001	REV	ECO	DATE	APP
		B	101562	05-08-15	TLM

NOTE:

DIMENSIONS IN [ ] ARE IN MILLIMETERS UNLESS OTHERWISE NOTED AND ARE FOR REFERENCE ONLY

THIRD ANGLE		THIS DRAWING CONTAINS CONFIDENTIAL AND PROPRIETARY INFORMATION WHICH IS THE PROPERTY OF OMNETICS CONNECTOR CORP. THIS DOCUMENT MAY NOT, IN WHOLE OR IN PART, BE DUPLICATED, OR DISCLOSED FOR ANY PURPOSE, WITHOUT WRITTEN PERMISSION FROM OMNETICS CONNECTOR CORP.		CAGE CODE 61873	
-TOLERANCES-				DWG NO.	
UNLESS OTHERWISE NOTED				A79634-001	
DIMENSIONS IN INCHES		DATE	DATE	SHEET 1 OF 1	
2 PL DEC ± .01		DFTM. MJM	04-12-13	REV	
3 PL DEC ± .005		CHK'D.		B	
4 PL DEC ± .0005		APP'D.		SCALE: 8:1	
ANGLES ± 1°					

**OMNETICS**  
CONNECTOR CORPORATION  
7260 COMMERCE CIRCLE EAST  
MINNEAPOLIS, MN 55432  
WWW.OMNETICS.COM

CAGE CODE 61873	
DWG NO. A79634-001	
SHEET 1 OF 1	REV B
SCALE: 8:1	