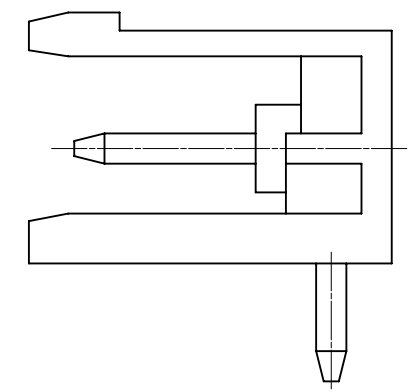
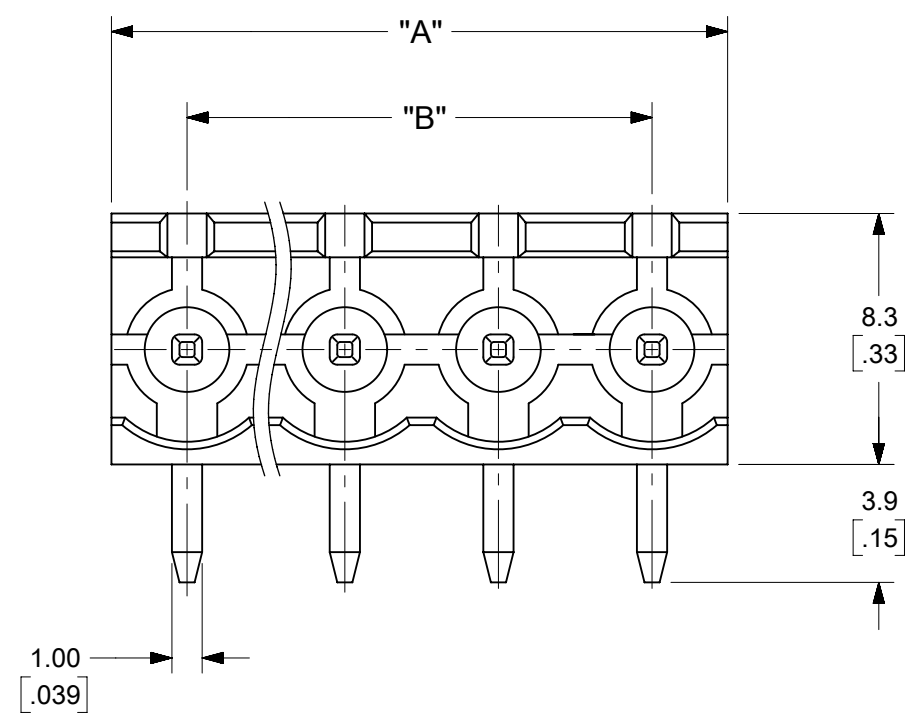
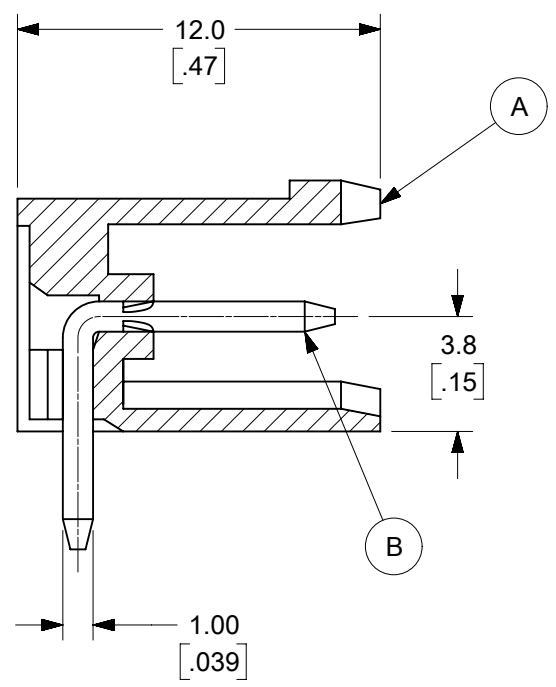
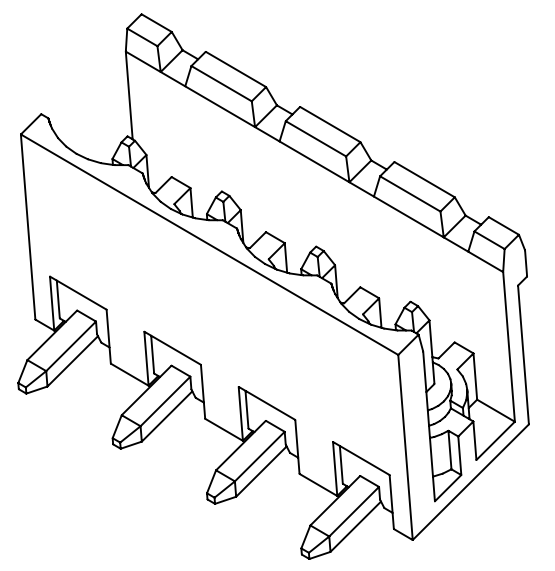
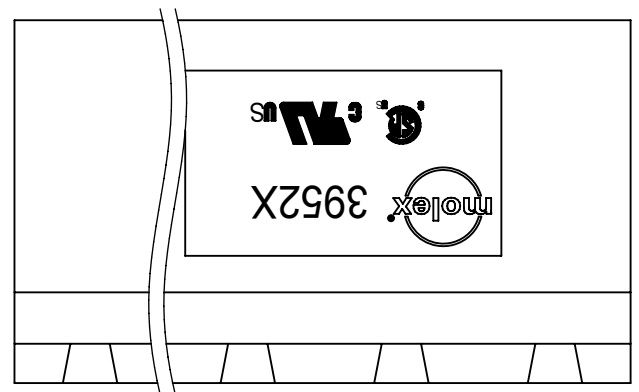


PCB LAYOUT



SPECIFICATIONS:

1. MATERIAL:
 - (A). BODY: PA66
 - (B). PIN: BRASS
2. WIRE RANGE: N/A
3. ELECTRICAL RATING: 300V, 15A.
4. WIRE STRIP LENGTH: N/A.
5. OPERATING TEMPERATURE: -40°C to +105°C.
6. MAX TORQUE: N/A.
7. INSULATION RESISTANCE: DC 500V, 500M.
8. DIELECTRIC WITHSTAND: AC 2500V FOR 1 MINUTE.
9. BREAKDOWN VOLTAGE : 4000V.
10. $A = (N \times P)$
11. $B = (N - 1) \times P$
12. P (PITCH) = 5.0MM (.197").
13. N = NUMBER OF POSITIONS AVAILABLE 2 THROUGH 24.

TOLERANCES			
MM	TOL	INCH	TOL
0-6	±0.25	0-.24	±.010
>6-30	±0.40	.24-1.18	±.016
>30-120	±0.50	1.18-4.76	±.020
>120	±0.80	>4.76	±.031

SYMBOLS DIMENSION UNITS: MM/INCH SCALE: 4:1 GENERAL TOLERANCES (UNLESS SPECIFIED): 4 PLACES ± 3 PLACES ± 2 PLACES ± 1 PLACE ± 0 PLACES ± ANGULAR TOL ± ° DRAFT WHERE APPLICABLE MUST REMAIN WITHIN DIMENSIONS				THIS DRAWING CONTAINS INFORMATION THAT IS PROPRIETARY TO MOLEX ELECTRONIC TECHNOLOGIES, LLC AND SHOULD NOT BE USED WITHOUT WRITTEN PERMISSION CURRENT REV DESC: MIGRATION TO ECTR/NX EC NO: 619931 DRWN: DSOPPIN 2019/06/20 CHK'D: DACHAMMER 2019/07/01 APPR: JFMURPHY 2019/07/08 INITIAL REVISION: DRWN: L.ROTHAUS 2005/06/12 APPR: C.YORK 2006/06/01				molex 5.0MM, EURO HEADER, RIGHT ANGLE, OPEN END PRODUCT CUSTOMER DRAWING DOCUMENT NUMBER: SD-39522-003 DOC TYPE: PSD DOC PART: 001 REVISION: A2 MATERIAL NUMBER: SEE SHEET-2 CUSTOMER: GENERAL MARKET SHEET NUMBER: 1 OF 2			
DIMENSION UNITS: MM/INCH SCALE: 4:1		CURRENT REV DESC: MIGRATION TO ECTR/NX		molex							
GENERAL TOLERANCES (UNLESS SPECIFIED): 4 PLACES ± 3 PLACES ± 2 PLACES ± 1 PLACE ± 0 PLACES ± ANGULAR TOL ± °		EC NO: 619931 DRWN: DSOPPIN 2019/06/20 CHK'D: DACHAMMER 2019/07/01 APPR: JFMURPHY 2019/07/08 INITIAL REVISION: DRWN: L.ROTHAUS 2005/06/12 APPR: C.YORK 2006/06/01		PRODUCT CUSTOMER DRAWING DOCUMENT NUMBER: SD-39522-003 DOC TYPE: PSD DOC PART: 001 REVISION: A2 MATERIAL NUMBER: SEE SHEET-2 CUSTOMER: GENERAL MARKET SHEET NUMBER: 1 OF 2							
DRAFT WHERE APPLICABLE MUST REMAIN WITHIN DIMENSIONS		THIRD ANGLE PROJECTION		DRAWING: B-SIZE SERIES: 39522							

DESCRIPTION		MATERIAL NUMBERS												DIMENSIONAL INFORMATION			
		BLACK						GREEN									
		100% TIN			30 u" GOLD			100% TIN			30 u" GOLD			DIM. "A"		DIM. "B"	
		CIRCUIT SIZE	PRINTING OPTIONS			PRINTING OPTIONS			PRINTING OPTIONS			PRINTING OPTIONS			mm	inch	mm
None	10AV		11AV	None	10AV	11AV	None	10AV	11AV	None	10AV	11AV					
5.0 MM, EURO HEADER, RIGHT ANGLE, OPEN END	2	395220002	395220102	395220202	395220502	395220602	395220702	395225002	395225102	395225202	395225502	395225602	395225702	10.00	.394	5.00	.197
5.0 MM, EURO HEADER, RIGHT ANGLE, OPEN END	3	395220003	395220103	395220203	395220503	395220603	395220703	395225003	395225103	395225203	395225503	395225603	395225703	15.00	.591	10.00	.394
5.0 MM, EURO HEADER, RIGHT ANGLE, OPEN END	4	395220004	395220104	395220204	395220504	395220604	395220704	395225004	395225104	395225204	395225504	395225604	395225704	20.00	.787	15.00	.591
5.0 MM, EURO HEADER, RIGHT ANGLE, OPEN END	5	395220005	395220105	395220205	395220505	395220605	395220705	395225005	395225105	395225205	395225505	395225605	395225705	25.00	.984	20.00	.787
5.0 MM, EURO HEADER, RIGHT ANGLE, OPEN END	6	395220006	395220106	395220206	395220506	395220606	395220706	395225006	395225106	395225206	395225506	395225606	395225706	30.00	1.181	25.00	.984
5.0 MM, EURO HEADER, RIGHT ANGLE, OPEN END	7	395220007	395220107	395220207	395220507	395220607	395220707	395225007	395225107	395225207	395225507	395225607	395225707	35.00	1.378	30.00	1.181
5.0 MM, EURO HEADER, RIGHT ANGLE, OPEN END	8	395220008	395220108	395220208	395220508	395220608	395220708	395225008	395225108	395225208	395225508	395225608	395225708	40.00	1.575	35.00	1.378
5.0 MM, EURO HEADER, RIGHT ANGLE, OPEN END	9	395220009	395220109	395220209	395220509	395220609	395220709	395225009	395225109	395225209	395225509	395225609	395225709	45.00	1.772	40.00	1.575
5.0 MM, EURO HEADER, RIGHT ANGLE, OPEN END	10	395220010	395220110	395220210	395220510	395220610	395220710	395225010	395225110	395225210	395225510	395225610	395225710	50.00	1.969	45.00	1.772
5.0 MM, EURO HEADER, RIGHT ANGLE, OPEN END	11	395220011	395220111	395220211	395220511	395220611	395220711	395225011	395225111	395225211	395225511	395225611	395225711	55.00	2.165	50.00	1.969
5.0 MM, EURO HEADER, RIGHT ANGLE, OPEN END	12	395220012	395220112	395220212	395220512	395220612	395220712	395225012	395225112	395225212	395225512	395225612	395225712	60.00	2.362	55.00	2.165
5.0 MM, EURO HEADER, RIGHT ANGLE, OPEN END	13	395220013	395220113	395220213	395220513	395220613	395220713	395225013	395225113	395225213	395225513	395225613	395225713	65.00	2.559	60.00	2.362
5.0 MM, EURO HEADER, RIGHT ANGLE, OPEN END	14	395220014	395220114	395220214	395220514	395220614	395220714	395225014	395225114	395225214	395225514	395225614	395225714	70.00	2.756	65.00	2.559
5.0 MM, EURO HEADER, RIGHT ANGLE, OPEN END	15	395220015	395220115	395220215	395220515	395220615	395220715	395225015	395225115	395225215	395225515	395225615	395225715	75.00	2.953	70.00	2.756
5.0 MM, EURO HEADER, RIGHT ANGLE, OPEN END	16	395220016	395220116	395220216	395220516	395220616	395220716	395225016	395225116	395225216	395225516	395225616	395225716	80.00	3.150	75.00	2.953
5.0 MM, EURO HEADER, RIGHT ANGLE, OPEN END	17	395220017	395220117	395220217	395220517	395220617	395220717	395225017	395225117	395225217	395225517	395225617	395225717	85.00	3.346	80.00	3.150
5.0 MM, EURO HEADER, RIGHT ANGLE, OPEN END	18	395220018	395220118	395220218	395220518	395220618	395220718	395225018	395225118	395225218	395225518	395225618	395225718	90.00	3.543	85.00	3.346
5.0 MM, EURO HEADER, RIGHT ANGLE, OPEN END	19	395220019	395220119	395220219	395220519	395220619	395220719	395225019	395225119	395225219	395225519	395225619	395225719	95.00	3.740	90.00	3.543
5.0 MM, EURO HEADER, RIGHT ANGLE, OPEN END	20	395220020	395220120	395220220	395220520	395220620	395220720	395225020	395225120	395225220	395225520	395225620	395225720	100.00	3.937	95.00	3.740
5.0 MM, EURO HEADER, RIGHT ANGLE, OPEN END	21	395220021	395220121	395220221	395220521	395220621	395220721	395225021	395225121	395225221	395225521	395225621	395225721	105.00	4.134	100.00	3.937
5.0 MM, EURO HEADER, RIGHT ANGLE, OPEN END	22	395220022	395220122	395220222	395220522	395220622	395220722	395225022	395225122	395225222	395225522	395225622	395225722	110.00	4.331	105.00	4.134
5.0 MM, EURO HEADER, RIGHT ANGLE, OPEN END	23	395220023	395220123	395220223	395220523	395220623	395220723	395225023	395225123	395225223	395225523	395225623	395225723	115.00	4.528	110.00	4.331
5.0 MM, EURO HEADER, RIGHT ANGLE, OPEN END	24	395220024	395220124	395220224	395220524	395220624	395220724	395225024	395225124	395225224	395225524	395225624	395225724	120.00	4.724	115.00	4.528

TOLERANCES <table border="1"> <thead> <tr> <th>MM</th> <th>TOL</th> <th>INCH</th> <th>TOL</th> </tr> </thead> <tbody> <tr> <td>0-6</td> <td>±0.25</td> <td>0-.24</td> <td>±.010</td> </tr> <tr> <td>>6-30</td> <td>±0.40</td> <td>.24-1.18</td> <td>±.016</td> </tr> <tr> <td>>30-120</td> <td>±0.50</td> <td>1.18-4.76</td> <td>±.020</td> </tr> <tr> <td>>120</td> <td>±0.80</td> <td>>4.76</td> <td>±.031</td> </tr> </tbody> </table>				MM	TOL	INCH	TOL	0-6	±0.25	0-.24	±.010	>6-30	±0.40	.24-1.18	±.016	>30-120	±0.50	1.18-4.76	±.020	>120	±0.80	>4.76	±.031	SYMBOLS <table border="1"> <tr> <td>▽ = 0</td> <td>▽ = 0</td> <td>▽ = 0</td> <td>▽ = 0</td> <td>▽ = 0</td> <td>▽ = 0</td> <td>▽ = 0</td> <td>▽ = 0</td> <td>▽ = 0</td> <td>▽ = 0</td> <td>▽ = 0</td> <td>▽ = 0</td> <td>▽ = 0</td> <td>▽ = 0</td> <td>▽ = 0</td> <td>▽ = 0</td> <td>▽ = 0</td> <td>▽ = 0</td> <td>▽ = 0</td> <td>▽ = 0</td> </tr> </table>				▽ = 0	▽ = 0	▽ = 0	▽ = 0	▽ = 0	▽ = 0	▽ = 0	▽ = 0	▽ = 0	▽ = 0	▽ = 0	▽ = 0	▽ = 0	▽ = 0	▽ = 0	▽ = 0	▽ = 0	▽ = 0	▽ = 0	▽ = 0	THIS DRAWING CONTAINS INFORMATION THAT IS PROPRIETARY TO MOLEX ELECTRONIC TECHNOLOGIES, LLC AND SHOULD NOT BE USED WITHOUT WRITTEN PERMISSION DIMENSION UNITS: MM/INCH SCALE: 2:1 CURRENT REV DESC: MIGRATION TO ECTR/NX EC NO: 619931 DRWN: DSOPPIN 2019/06/20 CHK'D: DACHAMMER 2019/07/01 APPR: JFMURPHY 2019/07/08 INITIAL REVISION: DRWN: LROTHAUS 2006/01/09 APPR: JPAWLICK 2006/01/10 DRAFT WHERE APPLICABLE MUST REMAIN WITHIN DIMENSIONS THIRD ANGLE PROJECTION DRAWING SERIES: B-SIZE 39522				<table border="1"> <tr> <td colspan="4" style="text-align: center;">molex</td> </tr> <tr> <td colspan="4" style="text-align: center;">5.0MM, EURO HEADER, RIGHT ANGLE, OPEN END</td> </tr> <tr> <td colspan="4" style="text-align: center;">PRODUCT CUSTOMER DRAWING</td> </tr> <tr> <td>DOCUMENT NUMBER</td> <td>DOC TYPE</td> <td>DOC PART</td> <td>REVISION</td> </tr> <tr> <td style="text-align: center;">SD-39522-003</td> <td style="text-align: center;">PSD</td> <td style="text-align: center;">001</td> <td style="text-align: center;">A2</td> </tr> <tr> <td>MATERIAL NUMBER</td> <td colspan="2">CUSTOMER</td> <td>SHEET NUMBER</td> </tr> <tr> <td>SEE TABLE</td> <td colspan="2">GENERAL MARKET</td> <td style="text-align: center;">2 OF 2</td> </tr> </table>				molex				5.0MM, EURO HEADER, RIGHT ANGLE, OPEN END				PRODUCT CUSTOMER DRAWING				DOCUMENT NUMBER	DOC TYPE	DOC PART	REVISION	SD-39522-003	PSD	001	A2	MATERIAL NUMBER	CUSTOMER		SHEET NUMBER	SEE TABLE	GENERAL MARKET		2 OF 2
MM	TOL	INCH	TOL																																																																																
0-6	±0.25	0-.24	±.010																																																																																
>6-30	±0.40	.24-1.18	±.016																																																																																
>30-120	±0.50	1.18-4.76	±.020																																																																																
>120	±0.80	>4.76	±.031																																																																																
▽ = 0	▽ = 0	▽ = 0	▽ = 0	▽ = 0	▽ = 0	▽ = 0	▽ = 0	▽ = 0	▽ = 0	▽ = 0	▽ = 0	▽ = 0	▽ = 0	▽ = 0	▽ = 0	▽ = 0	▽ = 0	▽ = 0	▽ = 0																																																																
molex																																																																																			
5.0MM, EURO HEADER, RIGHT ANGLE, OPEN END																																																																																			
PRODUCT CUSTOMER DRAWING																																																																																			
DOCUMENT NUMBER	DOC TYPE	DOC PART	REVISION																																																																																
SD-39522-003	PSD	001	A2																																																																																
MATERIAL NUMBER	CUSTOMER		SHEET NUMBER																																																																																
SEE TABLE	GENERAL MARKET		2 OF 2																																																																																
DOCUMENT STATUS	P1	RELEASE DATE	2019/07/08 15:51:10																																																																																

Description	Circuit Size	Material Numbers												Dimensional Information							
		Black						Green						Dim A		Dim B					
		100% Tin			50% Gold			100% Tin			50% Gold			mm	inch	mm	inch				
		Plating Options			Plating Options			Plating Options			Plating Options										
None 10A 11A			None 10A 11A			None 10A 11A			None 10A 11A												
5.0mm, Euro Header, Right Angle, Open End	2	395220002	395220102	395220202	395220302	395220402	395220502	395220602	395220702	395220802	395220902	395221002	395221102	395221202	395221302	395221402	395221502	10.00	0.394	5.00	0.197
5.0mm, Euro Header, Right Angle, Open End	3	395220003	395220103	395220203	395220303	395220403	395220503	395220603	395220703	395220803	395220903	395221003	395221103	395221203	395221303	395221403	395221503	15.00	0.591	10.00	0.394
5.0mm, Euro Header, Right Angle, Open End	4	395220004	395220104	395220204	395220304	395220404	395220504	395220604	395220704	395220804	395220904	395221004	395221104	395221204	395221304	395221404	395221504	20.00	0.787	15.00	0.591
5.0mm, Euro Header, Right Angle, Open End	5	395220005	395220105	395220205	395220305	395220405	395220505	395220605	395220705	395220805	395220905	395221005	395221105	395221205	395221305	395221405	395221505	25.00	0.984	20.00	0.787
5.0mm, Euro Header, Right Angle, Open End	6	395220006	395220106	395220206	395220306	395220406	395220506	395220606	395220706	395220806	395220906	395221006	395221106	395221206	395221306	395221406	395221506	30.00	1.181	25.00	0.984
5.0mm, Euro Header, Right Angle, Open End	7	395220007	395220107	395220207	395220307	395220407	395220507	395220607	395220707	395220807	395220907	395221007	395221107	395221207	395221307	395221407	395221507	35.00	1.378	30.00	1.181
5.0mm, Euro Header, Right Angle, Open End	8	395220008	395220108	395220208	395220308	395220408	395220508	395220608	395220708	395220808	395220908	395221008	395221108	395221208	395221308	395221408	395221508	40.00	1.575	35.00	1.378
5.0mm, Euro Header, Right Angle, Open End	9	395220009	395220109	395220209	395220309	395220409	395220509	395220609	395220709	395220809	395220909	395221009	395221109	395221209	395221309	395221409	395221509	45.00	1.772	40.00	1.575
5.0mm, Euro Header, Right Angle, Open End	10	395220010	395220110	395220210	395220310	395220410	395220510	395220610	395220710	395220810	395220910	395221010	395221110	395221210	395221310	395221410	395221510	50.00	1.969	45.00	1.772
5.0mm, Euro Header, Right Angle, Open End	11	395220011	395220111	395220211	395220311	395220411	395220511	395220611	395220711	395220811	395220911	395221011	395221111	395221211	395221311	395221411	395221511	55.00	2.166	50.00	1.969
5.0mm, Euro Header, Right Angle, Open End	12	395220012	395220112	395220212	395220312	395220412	395220512	395220612	395220712	395220812	395220912	395221012	395221112	395221212	395221312	395221412	395221512	60.00	2.362	55.00	2.166
5.0mm, Euro Header, Right Angle, Open End	13	395220013	395220113	395220213	395220313	395220413	395220513	395220613	395220713	395220813	395220913	395221013	395221113	395221213	395221313	395221413	395221513	65.00	2.559	60.00	2.362
5.0mm, Euro Header, Right Angle, Open End	14	395220014	395220114	395220214	395220314	395220414	395220514	395220614	395220714	395220814	395220914	395221014	395221114	395221214	395221314	395221414	395221514	70.00	2.756	65.00	2.559
5.0mm, Euro Header, Right Angle, Open End	15	395220015	395220115	395220215	395220315	395220415	395220515	395220615	395220715	395220815	395220915	395221015	395221115	395221215	395221315	395221415	395221515	75.00	2.953	70.00	2.756
5.0mm, Euro Header, Right Angle, Open End	16	395220016	395220116	395220216	395220316	395220416	395220516	395220616	395220716	395220816	395220916	395221016	395221116	395221216	395221316	395221416	395221516	80.00	3.150	75.00	2.953
5.0mm, Euro Header, Right Angle, Open End	17	395220017	395220117	395220217	395220317	395220417	395220517	395220617	395220717	395220817	395220917	395221017	395221117	395221217	395221317	395221417	395221517	85.00	3.346	80.00	3.150
5.0mm, Euro Header, Right Angle, Open End	18	395220018	395220118	395220218	395220318	395220418	395220518	395220618	395220718	395220818	395220918	395221018	395221118	395221218	395221318	395221418	395221518	90.00	3.543	85.00	3.346
5.0mm, Euro Header, Right Angle, Open End	19	395220019	395220119	395220219	395220319	395220419	395220519	395220619	395220719	395220819	395220919	395221019	395221119	395221219	395221319	395221419	395221519	95.00	3.740	90.00	3.543
5.0mm, Euro Header, Right Angle, Open End	20	395220020	395220120	395220220	395220320	395220420	395220520	395220620	395220720	395220820	395220920	395221020	395221120	395221220	395221320	395221420	395221520	100.00	3.937	95.00	3.740
5.0mm, Euro Header, Right Angle, Open End	21	395220021	395220121	395220221	395220321	395220421	395220521	395220621	395220721	395220821	395220921	395221021	395221121	395221221	395221321	395221421	395221521	105.00	4.134	100.00	3.937
5.0mm, Euro Header, Right Angle, Open End	22	395220022	395220122	395220222	395220322	395220422	395220522	395220622	395220722	395220822	395220922	395221022	395221122	395221222	395221322	395221422	395221522	110.00	4.331	105.00	4.134
5.0mm, Euro Header, Right Angle, Open End	23	395220023	395220123	395220223	395220323	395220423	395220523	395220623	395220723	395220823	395220923	395221023	395221123	395221223	395221323	395221423	395221523	115.00	4.528	110.00	4.331
5.0mm, Euro Header, Right Angle, Open End	24	395220024	395220124	395220224	395220324	395220424	395220524	395220624	395220724	395220824	395220924	395221024	395221124	395221224	395221324	395221424	395221524	120.00	4.724	115.00	4.528

TOLERANCES			
MM	TOL	INCH	TOL
0-6	±0.25	0-.24	±.010
>6-30	±0.40	.24-1.18	±.016
>30-120	±0.50	1.18-4.76	±.020
>120	±0.80	>4.76	±.031

REVISED DOC TOL EC NO: IFC2017-0861 DRAWN: ANAGATH 2017/03/24 CHKD: APPR: BRUPERT 2017/04/18 REV	QUALITY SYMBOLS ▽=0 ▽=0	GENERAL TOLERANCES (UNLESS SPECIFIED) mm INCH 4 PLACES ±--- ±--- 3 PLACES ±--- ±--- 2 PLACES ±--- ±--- 1 PLACE ±--- ±--- ANGULAR ±---°	DIMENSION STYLE MM/IN DRAWN BY DATE LROTHAUS 12/6/05 CHECKED BY DATE C. YORK 01/06/06 APPROVED BY DATE	SCALE DESIGN UNITS INCH THIRD ANGLE PROJECTION
	DRAFT WHERE APPLICABLE MUST REMAIN WITHIN DIMENSIONS		MATERIAL NO. SEE CHART	TITLE 5.0MM, EURO HEADER, RIGHT ANGLE, OPEN END
	SIZE B		DOCUMENT NO. SD-39522-003	SHEET NO. 2 OF 2
	THIS DRAWING CONTAINS INFORMATION THAT IS PROPRIETARY TO MOLEX INCORPORATED AND SHOULD NOT BE USED WITHOUT WRITTEN PERMISSION			

Description	Circuit Size	Material Numbers												Dimensional Information			
		Black						Green						Dim A		Dim B	
		100% Tin			50% Gold			100% Tin			50% Gold			mm	inch	mm	inch
		Plating Options			Plating Options			Plating Options			Plating Options						
	None	10A	11A	None	10A	11A	None	10A	11A	None	10A	11A					
5.0mm, Euro Header, Right Angle, Open End	2	395220002	395220102	395220202	395220302	395220402	395220502	395220602	395220702	395220802	395220902	395221002	395221102	10.00	0.394	5.00	0.197
5.0mm, Euro Header, Right Angle, Open End	3	395220003	395220103	395220203	395220303	395220403	395220503	395220603	395220703	395220803	395220903	395221003	395221103	15.00	0.591	10.00	0.394
5.0mm, Euro Header, Right Angle, Open End	4	395220004	395220104	395220204	395220304	395220404	395220504	395220604	395220704	395220804	395220904	395221004	395221104	20.00	0.787	15.00	0.591
5.0mm, Euro Header, Right Angle, Open End	5	395220005	395220105	395220205	395220305	395220405	395220505	395220605	395220705	395220805	395220905	395221005	395221105	25.00	0.984	20.00	0.787
5.0mm, Euro Header, Right Angle, Open End	6	395220006	395220106	395220206	395220306	395220406	395220506	395220606	395220706	395220806	395220906	395221006	395221106	30.00	1.181	25.00	0.984
5.0mm, Euro Header, Right Angle, Open End	7	395220007	395220107	395220207	395220307	395220407	395220507	395220607	395220707	395220807	395220907	395221007	395221107	35.00	1.378	30.00	1.181
5.0mm, Euro Header, Right Angle, Open End	8	395220008	395220108	395220208	395220308	395220408	395220508	395220608	395220708	395220808	395220908	395221008	395221108	40.00	1.575	35.00	1.378
5.0mm, Euro Header, Right Angle, Open End	9	395220009	395220109	395220209	395220309	395220409	395220509	395220609	395220709	395220809	395220909	395221009	395221109	45.00	1.772	40.00	1.575
5.0mm, Euro Header, Right Angle, Open End	10	395220010	395220110	395220210	395220310	395220410	395220510	395220610	395220710	395220810	395220910	395221010	395221110	50.00	1.969	45.00	1.772
5.0mm, Euro Header, Right Angle, Open End	11	395220011	395220111	395220211	395220311	395220411	395220511	395220611	395220711	395220811	395220911	395221011	395221111	55.00	2.165	50.00	1.969
5.0mm, Euro Header, Right Angle, Open End	12	395220012	395220112	395220212	395220312	395220412	395220512	395220612	395220712	395220812	395220912	395221012	395221112	60.00	2.362	55.00	2.165
5.0mm, Euro Header, Right Angle, Open End	13	395220013	395220113	395220213	395220313	395220413	395220513	395220613	395220713	395220813	395220913	395221013	395221113	65.00	2.559	60.00	2.362
5.0mm, Euro Header, Right Angle, Open End	14	395220014	395220114	395220214	395220314	395220414	395220514	395220614	395220714	395220814	395220914	395221014	395221114	70.00	2.756	65.00	2.559
5.0mm, Euro Header, Right Angle, Open End	15	395220015	395220115	395220215	395220315	395220415	395220515	395220615	395220715	395220815	395220915	395221015	395221115	75.00	2.953	70.00	2.756
5.0mm, Euro Header, Right Angle, Open End	16	395220016	395220116	395220216	395220316	395220416	395220516	395220616	395220716	395220816	395220916	395221016	395221116	80.00	3.150	75.00	2.953
5.0mm, Euro Header, Right Angle, Open End	17	395220017	395220117	395220217	395220317	395220417	395220517	395220617	395220717	395220817	395220917	395221017	395221117	85.00	3.346	80.00	3.150
5.0mm, Euro Header, Right Angle, Open End	18	395220018	395220118	395220218	395220318	395220418	395220518	395220618	395220718	395220818	395220918	395221018	395221118	90.00	3.543	85.00	3.346
5.0mm, Euro Header, Right Angle, Open End	19	395220019	395220119	395220219	395220319	395220419	395220519	395220619	395220719	395220819	395220919	395221019	395221119	95.00	3.740	90.00	3.543
5.0mm, Euro Header, Right Angle, Open End	20	395220020	395220120	395220220	395220320	395220420	395220520	395220620	395220720	395220820	395220920	395221020	395221120	100.00	3.937	95.00	3.740
5.0mm, Euro Header, Right Angle, Open End	21	395220021	395220121	395220221	395220321	395220421	395220521	395220621	395220721	395220821	395220921	395221021	395221121	105.00	4.134	100.00	3.937
5.0mm, Euro Header, Right Angle, Open End	22	395220022	395220122	395220222	395220322	395220422	395220522	395220622	395220722	395220822	395220922	395221022	395221122	110.00	4.331	105.00	4.134
5.0mm, Euro Header, Right Angle, Open End	23	395220023	395220123	395220223	395220323	395220423	395220523	395220623	395220723	395220823	395220923	395221023	395221123	115.00	4.528	110.00	4.331
5.0mm, Euro Header, Right Angle, Open End	24	395220024	395220124	395220224	395220324	395220424	395220524	395220624	395220724	395220824	395220924	395221024	395221124	120.00	4.724	115.00	4.528

TOLERANCES			
MM	TOL	INCH	TOL
0-6	±0.25	0-.24	±.010
>6-30	±0.40	.24-1.18	±.016
>30-120	±0.50	1.18-4.76	±.020
>120	±0.80	>4.76	±.031

REVISED DOC TOL EC NO: IFC2017-0861 DRAWN: ANAGATH 2017/03/24 CHKD: APPR: BRUPERT 2017/04/18 REV	QUALITY SYMBOLS ▽=0 ▽=0	GENERAL TOLERANCES (UNLESS SPECIFIED) mm INCH 4 PLACES ± --- ± --- 3 PLACES ± --- ± --- 2 PLACES ± --- ± --- 1 PLACE ± --- ± --- ANGULAR ± ---°	DIMENSION STYLE MM/IN DRAWN BY DATE LROTHAUS 12/6/05 CHECKED BY DATE C. YORK 01/06/06 APPROVED BY DATE	SCALE DESIGN UNITS INCH THIRD ANGLE PROJECTION
	DRAFT WHERE APPLICABLE MUST REMAIN WITHIN DIMENSIONS		MATERIAL NO. SEE CHART	TITLE 5.0MM, EURO HEADER, RIGHT ANGLE, OPEN END
	SIZE B		DOCUMENT NO. SD-39522-003	SHEET NO. 2 OF 2
	THIS DRAWING CONTAINS INFORMATION THAT IS PROPRIETARY TO MOLEX INCORPORATED AND SHOULD NOT BE USED WITHOUT WRITTEN PERMISSION			