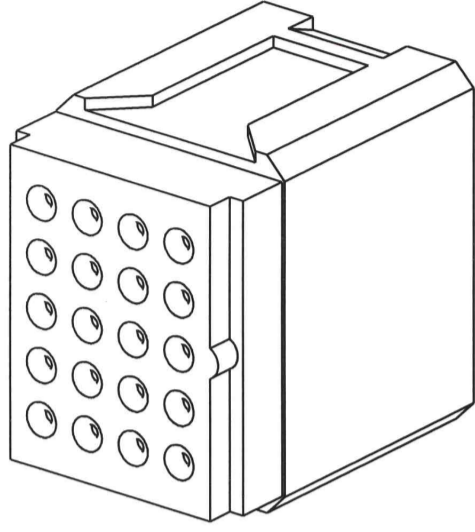
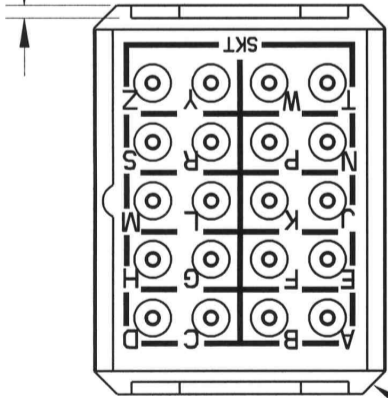


REV	ECN	APPD
M	5910	RS 7/27/06
N	5979	JT 11/16/06
0	6027	

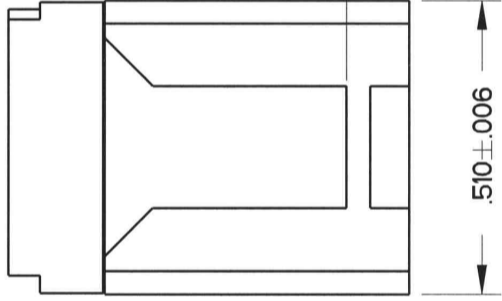
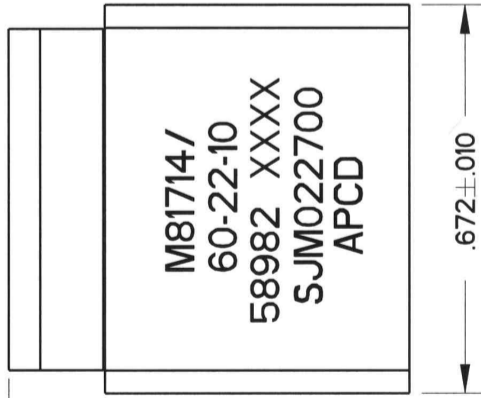


.030±.010 TYP



.225±.018

.040 X 45° ±.005 TYP.



NOTES:

- PART MEETS ALL REQUIREMENTS OF MIL-T-81714/60
- MATERIALS:
GROMMET - SILICONE RUBBER PER A-A-59588
BODY - POLYETHERIMIDE PER ASTM-D-5205
INTERNAL CONTACT - BRASS PER ASTM-B16 GOLD PLATED PER SAE-AMS-2422
CONTACT RETAINER CLIPS - STAINLESS STEEL PER ASTM-A666
- PART ACCEPTS M39029/22-191 SOCKET CONTACTS. SEE TABLE

APCD P/N	SUPPLIED		MARKING	
	SKTS	PLUGS	APCD PART NO.	MIL. NO.
SJM022700	21	2	SJM022700	M81714/60-22-10
SJM022701	-	-		

TITLE

Amphenol Pcd

SPECIFICATION DRAWING

DRWN R. SWAINE 9/25/06

ENGR R. NEWMAN 11/15/06
APPD

PROJECTION



TOLERANCES

.XX ±0.01
.XXX ±0.005
ANGLES ±2.0°

DIMENSIONS

ANSI Y14.5M
UNITS: INCHES
Pro/E FILE

ORIGINAL

THIS DOCUMENT CONTAINS PROPRIETARY INFORMATION WHICH IS THE CONFIDENTIAL PROPERTY OF AMPHENOL PCD INC., PEABODY, MA

SOCKET JUNCTION MODULE
SIZE 22, 10-BUS

SIZE B

DWG NO. SJM022700

REV 0

CODE: 58982 SCALE: 3:1 SHEET 1 OF 1