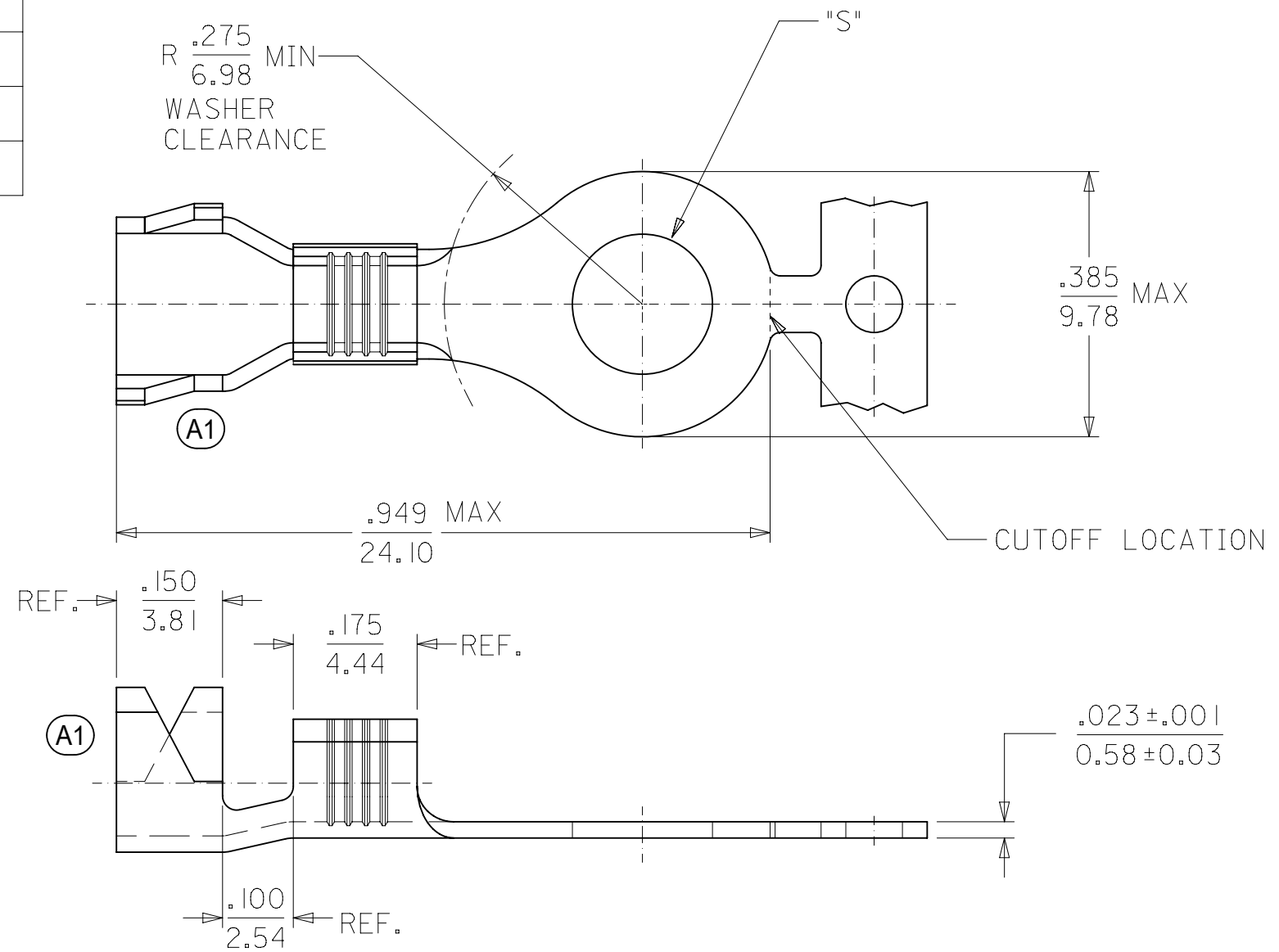


10	9	8	7	6	5	4	3	2	1
MATERIAL NUMBER	ENGINEERING NUMBER	STUD SIZE "S" ±.010/(.025)	MATERIAL	PLATING					
190850004	RZ-4129-06	#6 = .146/(3.71)	BRASS	TIN					
190850005	RZ-4129-08	#8 = .173/(4.39)	BRASS	TIN					
190850006	RZ-4129-10	#10 = .198/(5.03)	BRASS	TIN					
190850007	RZ-S-4129-06	#6 = .146/(3.71)	STEEL	TIN					
190850008	RZ-S-4129-08	#8 = .173/(4.39)	STEEL	TIN					
190850009	RZ-S-4129-10	#10 = .198/(5.03)	STEEL	TIN					



SALES DRAWING

NOTES:

1. MATERIAL: SEE CHART.
2. PLATING: SEE CHART.
3. WIRE RANGE: 18-14 AWG/1.3-2.6 MM.²

(A1) 4. PARTS ARE ROHS COMPLIANT.

THIS DRAWING CONTAINS INFORMATION THAT IS PROPRIETARY TO MOLEX ELECTRONIC TECHNOLOGIES, LLC AND SHOULD NOT BE USED WITHOUT WRITTEN PERMISSION									
DIMENSION UNITS		SCALE		CURRENT REV DESC: OBSOLETE PART NO					
IN/MM		NTS		molex VIBRAKRIMP STRIP RING TONGUE TERMINAL 18-14 AWG PRODUCT CUSTOMER DRAWING DOCUMENT NUMBER: SD-19085-002 DOC TYPE: PSD DOC PART: 001 REVISION: B EC NO: 632260 DRWN: AKUMAR19 2020/01/29 CHK'D: GGA 2020/02/28 APPR: GGA 2020/02/28 INITIAL REVISION: DRWN: BRE 2002/02/04 APPR:					
GENERAL TOLERANCES (UNLESS SPECIFIED)									
4 PLACES ±		±							
3 PLACES ±		±							
2 PLACES ±		±							
1 PLACE ±		±							
0 PLACES ±		±							
ANGULAR TOL ± °				DRAFT WHERE APPLICABLE MUST REMAIN WITHIN DIMENSIONS		THIRD ANGLE PROJECTION		DRAWING SERIES	
				B-SIZE		19085		MATERIAL NUMBER CUSTOMER SHEET NUMBER	
				SEE CHART		GENERAL MARKET		1 OF 1	