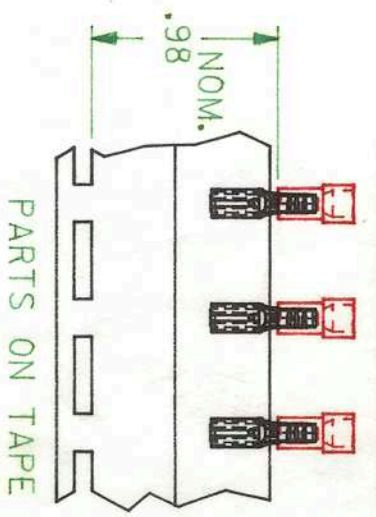
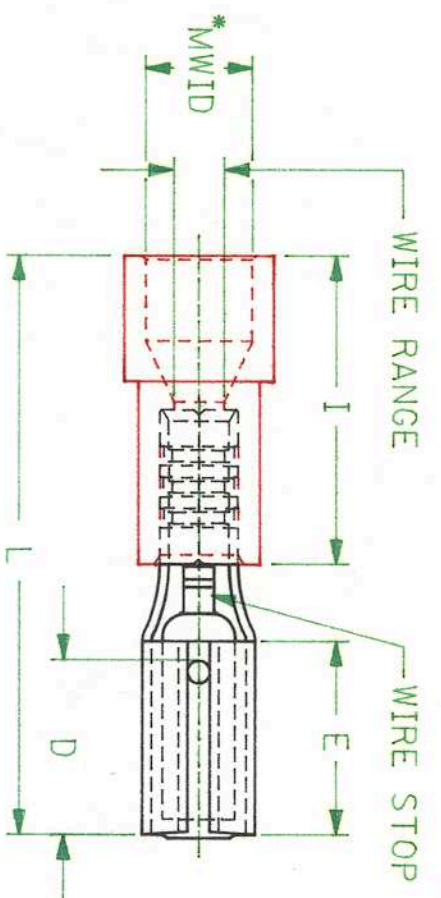


DRWG. NO. CD-2903



MATERIAL: BRASS
 FINISH: ELECTRO-TIN PLATING
 INSULATION: PVC

*MWID=MAXIMUM WIRE INSULATION DIAMETER

PART NUMBERS ARE FOR LOOSE PIECE TO ORDER PARTS ON TAPE ADD A "T" TO END OF PART NUMBER

PART NUMBER	INS. COLOR	WIRE RANGE AWG	WIRE RANGE MM ²	FITS MALE TAB SIZE	STOCK THICK.	"L" MAX.	"T" MAX.	"W" MAX.	"D" ±.01	"H" ±.01	"E" NOM.	MWID
AA-2134	RED	22-18	0.25-1.3	.110X.032	.012	.78	.41	.16	.210	.08	.25	.13
BB-2135	BLUE	16-14	1.0-2.6	.110X.032	.012	.78	.41	.16	.210	.08	.25	.14
AA-2131	RED	22-18	0.25-1.3	.110X.020	.012	.78	.41	.16	.210	.07	.25	.13
BB-2132	BLUE	16-14	1.0-2.6	.110X.020	.012	.78	.41	.16	.210	.07	.25	.14

REVISIONS ONLY ON CAD SYSTEM

INSULKRIMP
 QUICK DISCONNECTS

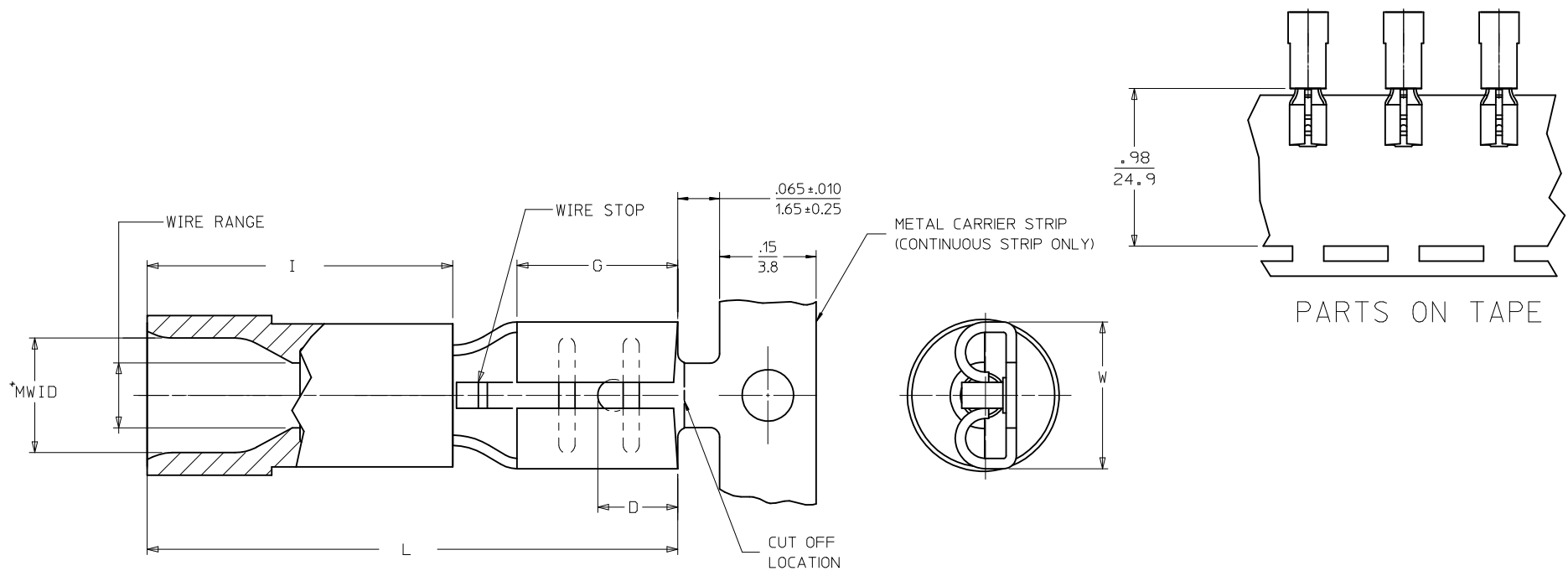
CUSTOMER DRAWING

DRWG. BY RCM
 CHK'D. BY
 APP'D. BY
 SCALE NO:NE

ETC INC.
 PINELLAS PARK, FLA. 34665 U.S.A.

SHEET NO. DATE 11/27/90
 THIS DRAWING CONTAINS INFORMATION THAT IS PROPRIETARY TO MOLEX-ETC INC. AND SHOULD NOT BE USED WITHOUT WRITTEN PERMISSION.

LOOSE PIECE		TAPE MOUNTED		CONTINUOUS STRIP		SPECIFICATIONS											
MATERIAL NUMBER	ENGINEERING NUMBER	MATERIAL NUMBER	ENGINEERING NUMBER	MATERIAL NUMBER	ENGINEERING NUMBER	INS. COLOR	WIRE AWG	RANGE	MM ²	FITS MALE TAB SIZE	STOCK THICKNESS	"L" MAX.	"I" MAX.	"W" MAX.	"D" ±.01	"G" NOM.	MWID
190170014	AA-2140	190170017	AA-2140T	190170022	AAZ-2140	RED	22-18	0.25-1.5	.250x.032/6.35x0.81	.250x.032/6.35x0.81	.016/0.41	.865/21.97	.42/10.7	.31/7.9	.156/3.96	.31/7.9	.13/3.3
190170037	BB-2141	190170041	BB-2141T	190170074	BBZ-2141	BLUE	16-14	1.0-2.5	.250x.032/6.35x0.81	.250x.032/6.35x0.81	.016/0.41	.865/21.97	.42/10.7	.31/7.9	.156/3.96	.31/7.9	.14/3.6
190170047	C-2143	190170050	C-2143T	-	-	YELLOW	12-10	4.0-6.0	.250x.032/6.35x0.81	.250x.032/6.35x0.81	.018/0.46	1.011/25.68	.56/14.2	.31/7.9	.156/3.96	.31/7.9	.24/6.1
190170007	AA-2137	190170012	AA-2137T	190170068	AAZ-2137	RED	22-18	0.25-1.5	.187x.020/4.75x0.51	.187x.020/4.75x0.51	.016/0.41	.789/20.04	.42/10.7	.25/6.4	.125/3.18	.25/6.4	.13/3.3
190170031	BB-2138	190170035	BB-2138T	190170072	BBZ-2138	BLUE	16-14	1.0-2.5	.187x.020/4.75x0.51	.187x.020/4.75x0.51	.016/0.41	.789/20.04	.42/10.7	.25/6.4	.125/3.18	.25/6.4	.14/3.6
190170008	AA-2137-032	190170009	AA-2137-032T	190170069	AAZ-2137-032	BRIGHT RED (A)	22-18	0.25-1.5	.187x.032/4.75x0.81	.187x.032/4.75x0.81	.016/0.41	.789/20.04	.42/10.7	.25/6.4	.125/3.18	.25/6.4	.13/3.3
190170032	BB-2138-032	-	-	190170073	BBZ-2138-032	BRIGHT BLUE (A)	16-14	1.0-2.5	.187x.032/4.75x0.81	.187x.032/4.75x0.81	.016/0.41	.789/20.04	.42/10.7	.25/6.4	.125/3.18	.25/6.4	.14/3.6
190170001	AA-2131	190170004	AA-2131T	190170066	AAZ-2131	RED	22-18	0.25-1.5	.110x.020/2.80x0.51	.110x.020/2.80x0.51	.012/0.30	.789/20.04	.42/10.7	.17/4.3	.210/5.33	.25/6.4	.13/3.3
190170023	BB-2132	190170026	BB-2132T	190170070	BBZ-2132	BLUE	16-14	1.0-2.5	.110x.020/2.80x0.51	.110x.020/2.80x0.51	.012/0.30	.789/20.04	.42/10.7	.17/4.3	.210/5.33	.25/6.4	.14/3.6
190170005	AA-2134	190170006	AA-2134T	190170067	AAZ-2134	BRIGHT RED (A)	22-18	0.25-1.5	.110x.032/2.80x0.81	.110x.032/2.80x0.81	.012/0.30	.789/20.04	.42/10.7	.17/4.3	.210/5.33	.25/6.4	.13/3.3
190170028	BB-2135	190170029	BB-2135T	190170071	BBZ-2135	BRIGHT BLUE (A)	16-14	1.0-2.5	.110x.032/2.80x0.81	.110x.032/2.80x0.81	.012/0.30	.789/20.04	.42/10.7	.17/4.3	.210/5.33	.25/6.4	.14/3.6
190170018	AA-2190	190170003	AA-2190T	-	-	RED	22-18	0.25-1.5	.205x.020/5.21x0.51	.205x.020/5.21x0.51	.016/0.41	.789/20.04	.42/10.7	.26/6.6	.125/3.18	.25/6.4	.13/3.3
190170043	BB-2191	190170046	BB-2191T	-	-	BLUE	16-14	1.0-2.5	.205x.020/5.21x0.51	.205x.020/5.21x0.51	.016/0.41	.789/20.04	.42/10.7	.26/6.6	.125/3.18	.25/6.4	.14/3.6
190170019	AA-2190-032	-	-	-	-	BRIGHT RED (A)	22-18	0.25-1.5	.205x.032/5.21x0.81	.205x.032/5.21x0.81	.016/0.41	.789/20.04	.42/10.7	.26/6.6	.125/3.18	.25/6.4	.13/3.3
190170044	BB-2191-032	190170016	BB-2191-032T	-	-	BRIGHT BLUE (A)	16-14	1.0-2.5	.205x.032/5.21x0.81	.205x.032/5.21x0.81	.016/0.41	.789/20.04	.42/10.7	.26/6.6	.125/3.18	.25/6.4	.14/3.6



- NOTES:
1. MATERIAL: BRASS TERMINAL
 2. FINISH: ELECTRO-TIN PLATING
 3. INSULATION: MOLDED PVC
 - 4.*MWID=MAXIMUM WIRE INSULATION DIAMETER
 5. PARTS ARE ROHS COMPLIANT.

FERRULE DESCR. CONT P/N EC NO: MNA2011-0346 DRW:ETHRODAHL 2011/04/20 CHKD:JMACNEIL 2011/04/26 APPR:JMACNEIL 2011/07/13	QUALITY SYMBOLS ▽=0 ▽=0	GENERAL TOLERANCES (UNLESS SPECIFIED)		DIMENSION STYLE IN/MM	SCALE ---	DESIGN UNITS INCH	THIRD ANGLE PROJECTION		
		4 PLACES ± --- ± --- 3 PLACES ± --- ± .005 2 PLACES ± 0.13 ± .010 1 PLACE ± 0.25 ± .020	mm INCH ± --- ± --- ± .005 ± .010 ± 0.25 ± .020	DRAWN BY ETHRODAHL	DATE 2011/04/20	TITLE QUICK DISCONNECT PARTIALLY INSULATED INSULKRIMP	MOLEX INCORPORATED		
		ANGULAR ± ---°		APPROVED BY JMACNEIL	DATE 2011/07/13	MATERIAL NO. SEE CHART	DOCUMENT NO. SD-19017-003	SHEET NO. 1 OF 1	
		DRAFT WHERE APPLICABLE MUST REMAIN WITHIN DIMENSIONS							THIS DRAWING CONTAINS INFORMATION THAT IS PROPRIETARY TO MOLEX INCORPORATED AND SHOULD NOT BE USED WITHOUT WRITTEN PERMISSION